



EXTRA-BUILT (M) SDN BHD
Innovative & Intelligent Efforts



LED FLOODLIGHT

M-SERIES DRAGON MARS (DM)

The Extra-Built LED Floodlight is optimized a basic LED solution for Sports and Industrial application highmast. The design incorporates options for the heat sink directly into the unit or for heat transfer to prolong LED life. This solution lowers energy consumption compared to conventional HPSV or HID fixture for additional for operating cost savings and reflex fast return on investment.

Designed to meet recommended luminance and illuminance requirement for local and all indoor and outdoor application specifications.



Enquiry:

Email: sales@extrabuilt.com (03-5525 2907)

M-Series Dragon Mars (DM)

Lighting Specification

Wattage (W)	Initial Lumens	CCT	Beam Angle	CRI	Junction Temperature
40	>4000lm	3000K, 4000K, 5000K, 5700K	12°, 25°, 40°, 60°, 110°	Ra≥70	<80°C
80	>8000lm				
120	>12000lm				
160	>16000lm				
200	>20000lm				
240	>24000lm				
320	>32000lm				

Other Specification

Housing & Casing	Aluminium 6063 T5 Extruded & Casting
Lens	Optical Grade Polycarbonate, IP Rating
Ingress Protection	IP66
Light Output	Min of 50,000 hours at L70 (90% lumen maintenance)
Input Power Rating	220-240Vac @ 50-60Hz
Power Factor	>0.95
Operating Temperature	-20° Celsius to +50° Celsius

Certification and Testing

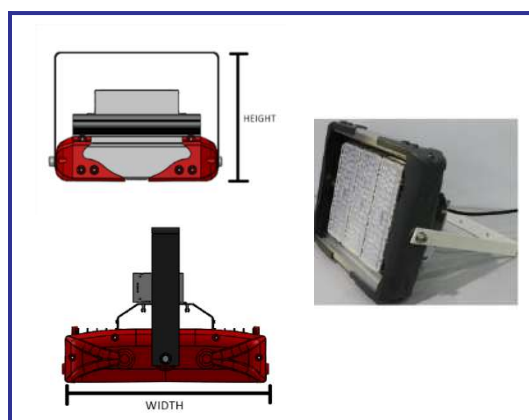
Luminaire Certification	SIRIM QAS INTERNATIONAL, DEKRA, TUV, VDE IECEE / CB SCHEME –Inclusive of National differences for Saudi Arabia (SASO), European group differences and National differences.
Luminaire Test Report	IEC/EN 60598-2-5:1998, IEC/EN 60598-1:2008, IES LM79-08, IEC/EN 62471:2006, IEC62493:2009
Components Certification	IEC 61347-2-13:2006: Driver IEC 61347-1:2007+A1:2010 +A2:2012 IEC 62031/A1:2012 : LED Module IEC 62471:2006 IEC 62717 :2014 : Performance IEC 62717:2014/AMD/2015 IEC 50525 : Multi Connector cable IEC 61984:2008 - Connector LM 80-08 : LED Chip IEC 61643 :SPD

Ordering Code & Installation Guide

Ordering Code	EXTRA-BUILT DM-8XX-XXX CCT Wattage
Installation Guide	<ol style="list-style-type: none"> Loose the Cap Screw M10 (1) and (2) for easy position to install Tighten Lighting using hole (3) and (4) Tighten the Cap Screw M10 (1) and (2) for angle position



Dimension



Wattage	Width	Length	Height	Weight
40W	315mm	280mm	170mm	8Kg
80W		310mm		8.5Kg
120W		360mm		9.4Kg
160W		430mm		11.5Kg
200W		485mm		13.4Kg
240W		565mm		14.3Kg
320W	430mm	660mm		15Kg

Lighting Distribution 1 unit M8B LED Module Beam Angle (50%) 40Deg

